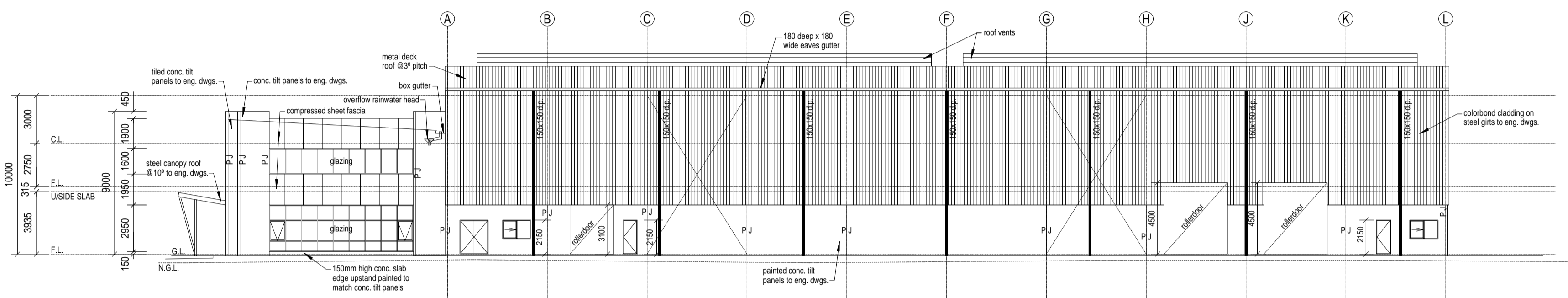
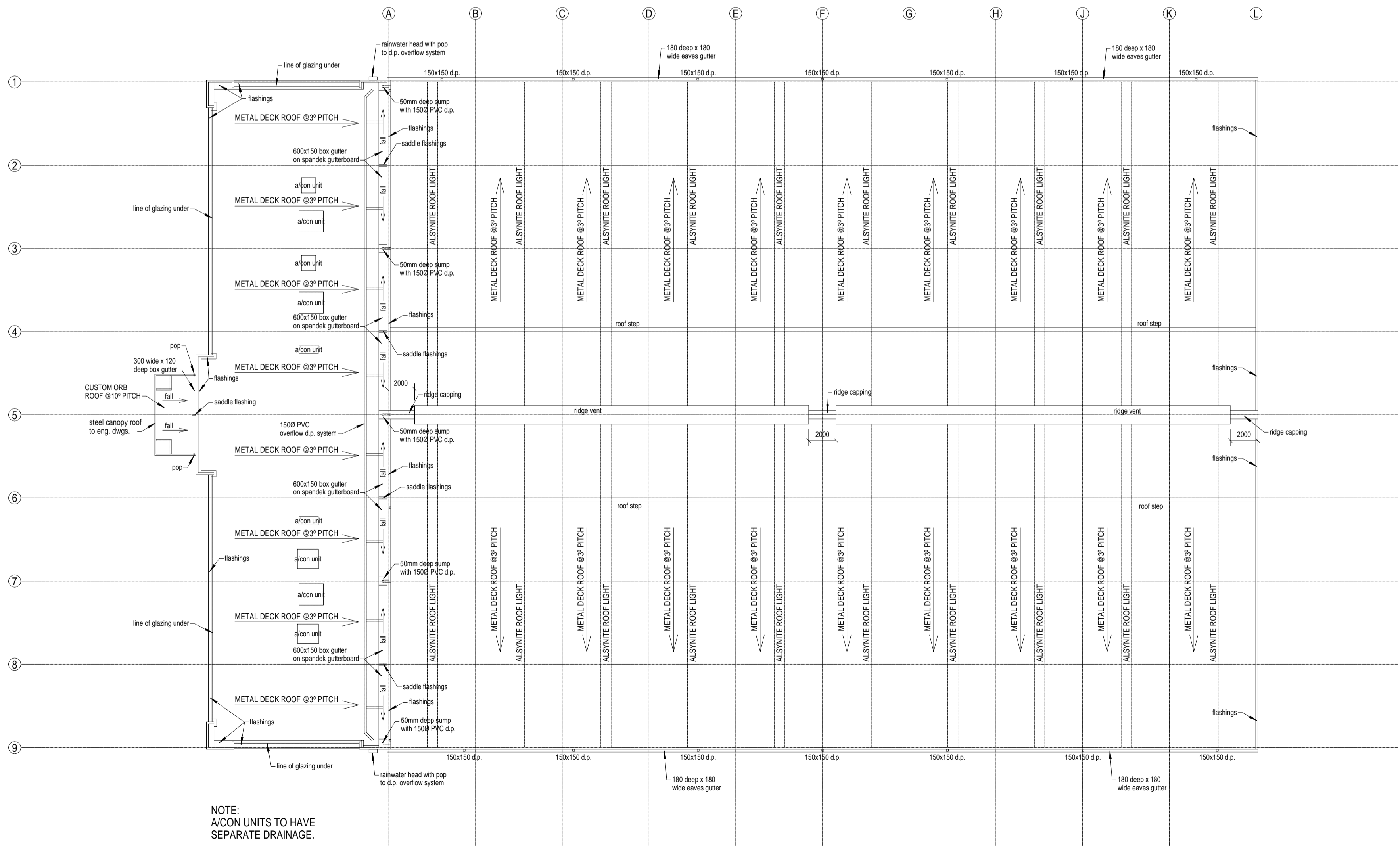


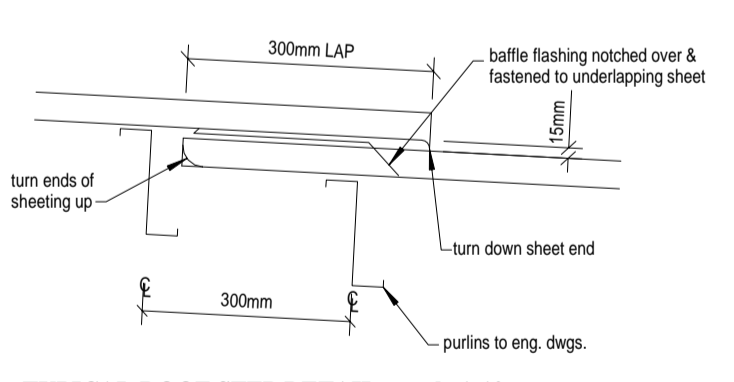
ELEVATION 3 scale 1:200



ELEVATION 4 scale 1:200



ROOF PLAN scale 1:200



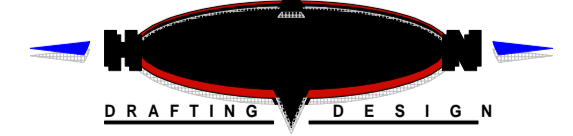
TYPICAL ROOF STEP DETAIL scale 1:10

NOTES:
CHECK ALL DIMENSIONS ON SITE PRIOR TO CONSTRUCTION. REFER TO ENG. DWGS. FOR ALL STRUCTURAL REQUIREMENTS. REFER TO CONSULTANTS DWGS. FOR RELEVANT INFORMATION. ALL AREAS ARE APPROXIMATE ONLY.

REV. A - Fire Hose Reels FOR TENDER

PROPOSED WAREHOUSE / OFFICE DEVELOPMENT ON LOT 23 MODAL PLACE CANNING VALE

SCALE as shown	DATE MARCH 00	DRAWN CBL	CHECKED RWS
JOB NO. wd003352	SHEET NO. A03	REV. A	PRINT 01/12/2007



SUITE 12 / 22 PARRY AVE. BATEMAN 6150
PH. (08) 9332 2022 FAX. (08) 9332 2033 MOB. 0418 958 959
E-MAIL design@hdd.com.au WEB PAGE www.hdd.com.au

GAVIN CONSTRUCTION.COM.AU
BUILDERS & DEVELOPERS OF QUALITY HOUSING, COMMERCIAL, PROJECTS, RENOVATIONS & ADDITIONS
92a BATEMAN ROAD, MT PLEASANT WA 6153 OFF: 9364 4091 FAX: 9364 4419 Email gavin@varet.net.au

THIS DESIGN IS THE PROPERTY OF HORIZON DRAFTING DESIGN AND SHALL NOT BE REPRODUCED WITHOUT PERMISSION. © 2000