

GENERAL NOTES FOR ACCESS:
(TO COMPLY WITH SECTIONS AS 1228.1-2009 & PART D3 OF THE BCA)

SECTION 6.6 VISUAL INDICATORS ON GLAZING

WHERE THERE IS NO HANDRAIL OR TRANSOM ALL FULLY GLAZED DOORS, SIDELIGHTS INCLUDING GLAZING CAPABLE OF BEING MISTAKEN FOR A DOORWAY SHALL BE CLEARLY MARKED THE FULL WIDTH WITH A SOLID CONTRASTING LINE. THE CONTRASTING LINE SHALL BE NOT LESS THAN 75mm WIDE AND SHALL EXTEND ACROSS THE FULL WIDTH OF THE GLAZING. THE LOWER EDGE SHALL BE BETWEEN 900mm & 1000mm ABOVE FLOOR LEVEL. CONTRASTING LINE ON GLAZING SHALL HAVE A 30% LUMINANCE CONTRAST WHEN VIEWED AGAINST THE FLOOR SURFACE.

SECTION 7 FLOOR OR GROUND SURFACES ON CONTINUOUS ACCESSIBLE PATHS OF TRAVEL

FLOOR SHALL HAVE A SLP RESISTANT SURFACE WITH A MAX 5mm VARIATION IN SURFACE. CARPET OR ANY SOFT FLEXIBLE MATERIAL ON THE FLOOR SURFACE SHALL HAVE A PILE HEIGHT OF THICKNESS OF MAX OF 11mm AND CARPET BACKING SHALL BE A MAX OF 4mm IN THICKNESS. EXPOSED EDGES OF FLOOR COVERINGS SHALL HAVE A TRIM FASTENED TO THE FLOOR THE ENTIRE LENGTH OF THE EXPOSED EDGE.

SECTION 8 BRAILLE & TACTILE SIGNS

BRAILLE AND TACTILE SIGNAGE TO BE PROVIDED FOR SANITARY FACILITIES. SIGNS MUST BE NOT LESS THAN 1200mm AND NOT HIGHER THAN 1600mm ABOVE THE FLOOR SURFACE. SIGNS IDENTIFYING ROOMS MUST BE LOCATED ON THE WALL ON THE LATCH SIDE OF THE DOOR WITH THE LEADING EDGE OF THE SIGN LOCATED BETWEEN 900mm AND 3000mm OR ARCHITRAVE OR WHERE NOT POSSIBLE THE SIGN MAY BE PLACED ON THE DOOR, DOORWAYS & DOOR NOTES.
(TO COMPLY WITH SECTIONS 13 AS 1428.1-2009 & PART D2.19 OF THE BCA)

ALL EXIT DOORS TO SWING IN DIRECTION OF EGRESS.
ALL DOORWAYS SHALL HAVE A MIN LUMINANCE CONTRAST OF 30% BETWEEN DOOR SYSTEM COMPONENTS AND WALLS.

DOORWAYS ON A CONTINUOUS PATH OF TRAVEL SHALL HAVE A 850mm CLEAR OPENING.

DOORS THAT FORM A CONTINUOUS PATH OF TRAVEL MUST BE OPENABLE WITHOUT A KEY FROM THE SIDE THAT FACES A PERSON SEEKING EGRESS BY A SINGLE HAND DOWNWARD ACTION.

DOOR HANDLES TO BE BETWEEN 900mm AND 1100mm FROM THE FLOOR.

CLEARANCE BETWEEN THE DOOR HAND AND DOOR FACE SHALL BE 35mm & 45mm.

DISABLED TOILET NOTES:
(TO COMPLY WITH SECTIONS 13 AS 1428.1-2009 & PART F2.4 OF THE BCA)

WATER TAPS TO HAVE LEVER HANDLES WITH A CLEARANCE OF 50mm FROM ADJACENT SURFACES.

HOT & COLD WATER TO BE DELIVERED THROUGH 1 SPOUT.

TOILET SEAT TO BE A FULL ROUND TYPE, WITH A LOAD RATING OF 150kg AND A LUMINANCE CONTRAST OF 30% WITH BACKGROUND.

BACKREST TO BE PROVIDED AS PER DETAILS

FLUSHING CONTROLS ZONE AS PER SECTION 15.2.5 OF AS 1428.1-2009

TOILET PAPER DISPENSER ZONE AS PER SECTION 15.2.6 OF AS 1428.1-2009

GRABRAILS TO BE BETWEEN 30mm & 40mm DIAMETER WITH A CLEARANCE OF BETWEEN 50mm & 60mm FROM ANY SURFACE.

DOORS TO BE PROVIDED WITH AN IN-SHIELD INDICATOR AND SHALL BE OPENED FROM THE OUTSIDE

ENERGY EFFICIENCY NOTES:

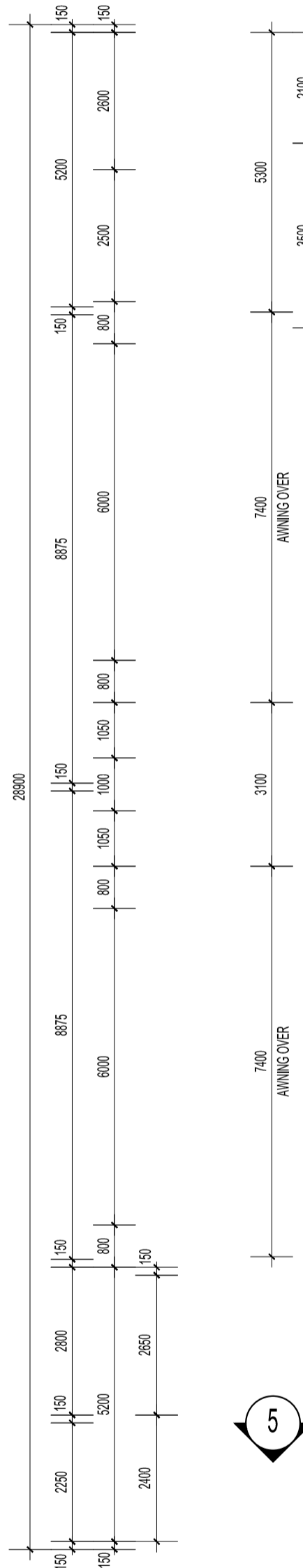
MECHANICAL VENTILATION AND AIR-CONDITIONING SYSTEM INSTALLED TO PROVIDE VENTILATION IN ACCORDANCE WITH BCA VOLUME 1 ARE TO BE COMPLIANT WITH AS 1688.2 & AS/NZS 3666.1. MECHANICAL VENTILATION AND AIR-CONDITIONING BY OWNER

MECHANICAL VENTILATION AND AIR-CONDITIONING SYSTEM INSTALLED TO PROVIDE VENTILATION IN ACCORDANCE WITH BCA VOLUME 1 ARE TO BE COMPLIANT WITH AS 1688.2 & AS/NZS 3666.1

AIR-CONDITIONING/VENTILATION SYSTEMS AND ARTIFICIAL LIGHTING TO BE DESIGNED AND INSTALLED IN ACCORDANCE WITH PARTS J5 & J6 OF THE BCA VOLUME 1 REQUIREMENTS FOR ENERGY EFFICIENCY

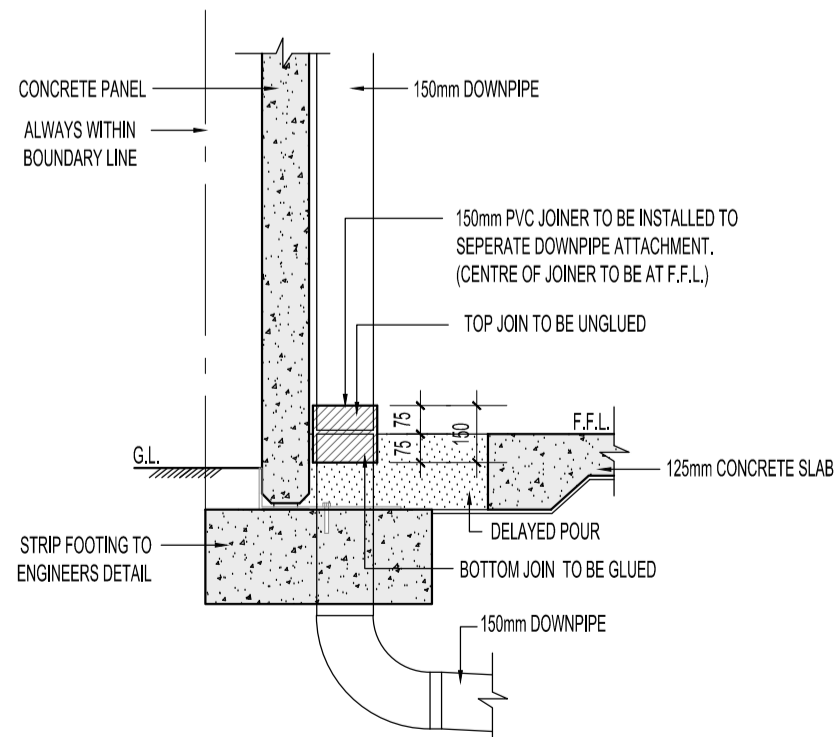
ALL HOT WATER SUPPLY SYSTEMS ARE REQUIRED TO BE INSTALLED IN ACCORDANCE WITH SECTION 8 OF AS 1500.4

FLOOR PLAN / SERVICE LEGEND	
	WATER TAP
	SUB BOARD
	N.T.D. BOARD (NBN - TELEPHONE / DATA)
	38m FIRE HOSE REEL
	1 x 4.5kg DCP FIRE EXTINGUISHER TO BE INSTALLED IN OFFICE
	1 x 9.0kg DCP FIRE EXTINGUISHER TO BE INSTALLED IN WAREHOUSE

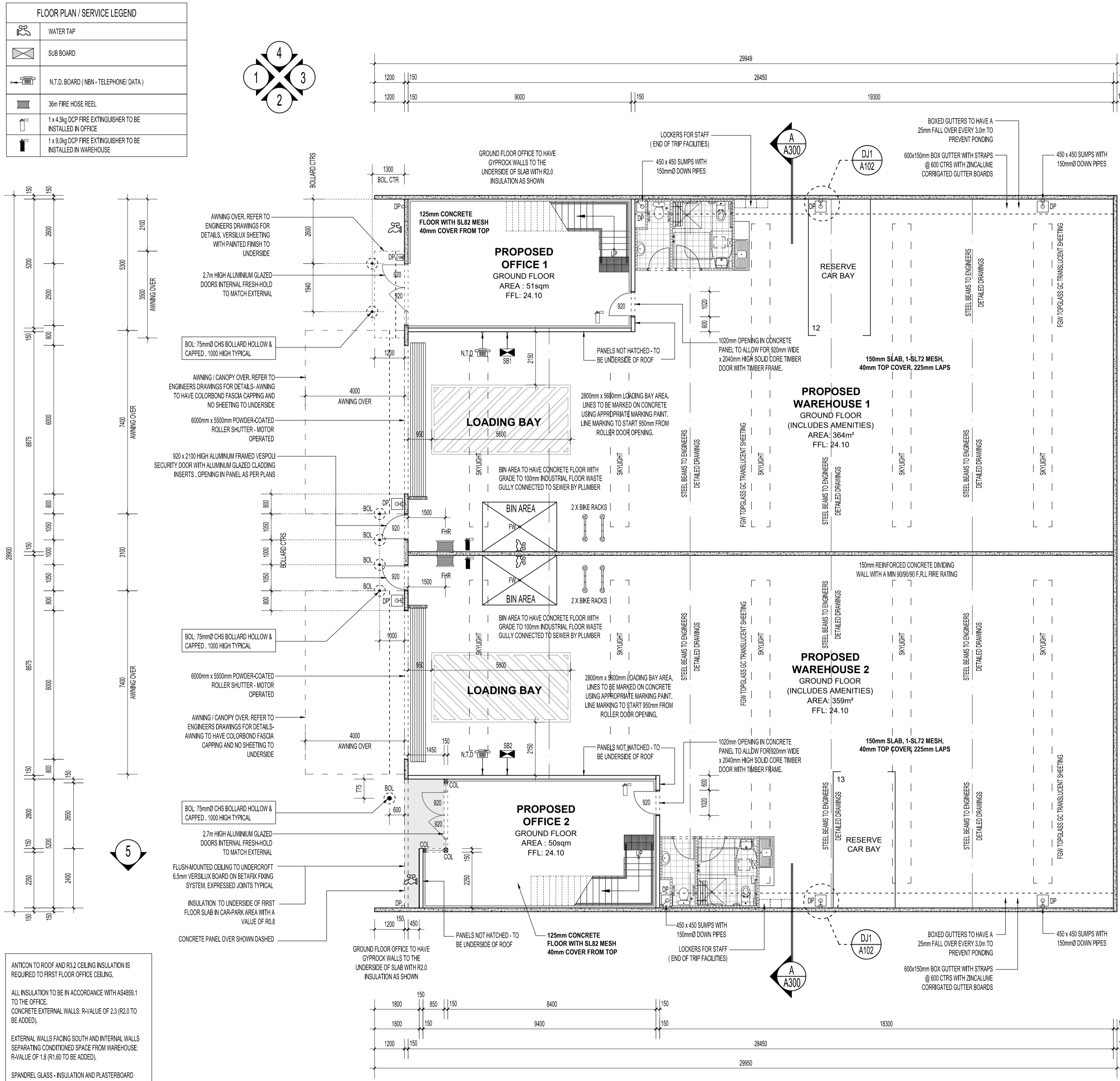


ANTICUT TO ROOF AND R2.2 CEILING INSULATION IS REQUIRED TO FIRST FLOOR OFFICE CEILING.
ALL INSULATION TO BE IN ACCORDANCE WITH AS4659.1 TO THE OFFICE.
CONCRETE EXTERNAL WALLS: R-VALUE OF 2.3 (R2.0 TO BE ADDED).
EXTERNAL WALLS FACING SOUTH AND INTERNAL WALLS SEPARATING CONDITIONED SPACE FROM WAREHOUSE: R-VALUE OF 1.8 (R1.60 TO BE ADDED).
SPANDREL GLASS - INSULATION AND PLASTERBOARD LINING BEHIND - MIN R2.3 INSULATION REQUIRED

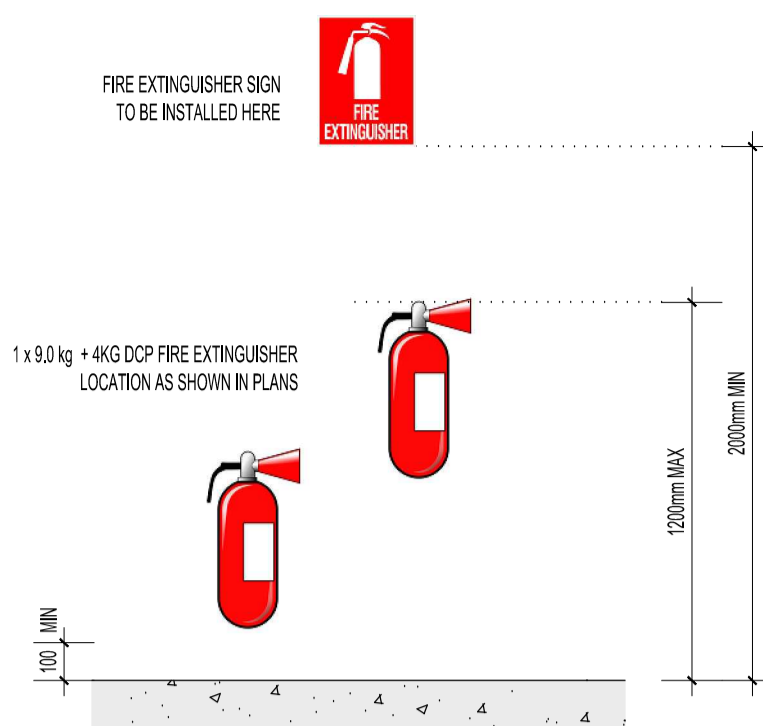
OPERATION OF LATCH OF ALL EXIT DOORS TO COMPLY WITH CLAUSE D2.21 OF THE BCA.



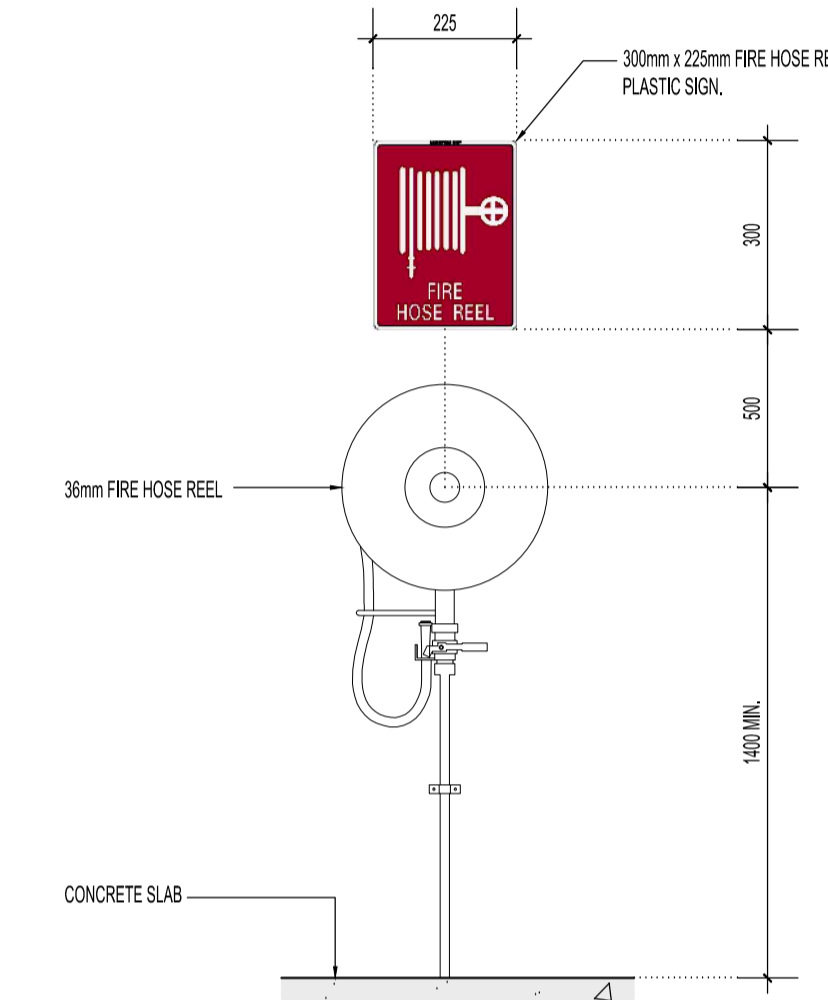
DJ1 DOWNPIPE JOINER DETAIL
SCALE 1:20



GROUND FLOOR PLAN
SCALE 1:100



TYPICAL INSTALLATION OF FIRE EXT. & SIGN
SCALE 1:20



FIRE HOSE REEL SIGN
SCALE 1:20

CHEMICAL GROUTING AS PER STRUCTURAL ENGINEERS DETAILS TO REAR BOUNDARY TO ALLOW FOOTING TO BE LOWER THEN ADJOINING REAR BLOCK

CHEMICAL GROUTING AS PER STRUCTURAL ENGINEERS DETAILS TO REAR BOUNDARY TO ALLOW FOOTING TO BE LOWER THEN ADJOINING REAR BLOCK

REV.	DATE	IN.	DESCRIPTION
VESPOLI CONSTRUCTIONS			
OUR BUSINESS IS BUILDING YOURS			
41 Cedric Street, STIRLING Western Australia 6200 t. 08 9209 1800 e. admin@vespoli.com.au f. 08 9209 1899 w. www.vespoli.com.au ACN 113 413 077 ABN 65 545 929 538			

© COPYRIGHT
THIS DESIGN AND / OR DRAWING IS CONFIDENTIAL AND SHALL REMAIN THE PROPERTY OF VESPOLI CONSTRUCTIONS. IT MUST NOT BE REPRODUCED, COPIED OR ALTERED WITHOUT THE EXPRESSED APPROVAL OF VESPOLI CONSTRUCTIONS.

CONTRACTORS SHALL CHECK ALL DIMENSIONS AND CONDITIONS ON SITE PRIOR TO COMMENCING FABRICATION OR CONSTRUCTION. ANY DISCREPANCIES TO BE BROUGHT TO THE SUPERVISORS ATTENTION.
DO NOT SCALE FROM DRAWINGS.
THE DESIGNER RESERVES THE RIGHT TO ALTER DIMENSIONS ON SITE TO SUIT CONSTRUCTION, ENGINEERING OR SITE CONDITIONS.
UNLESS OTHERWISE NOTED, RETAINING WALLS, DEMOLITION/SEWER PILING, SUBSOIL DRAINS, BLASTING OR OTHER SITE WORKS ARE ALL AT OWNERS EXPENSE

PROPOSED OFFICE AND WAREHOUSE PROJECT
LOT 430 (#12) BARREL WAY
CANNING VALE WA

DRAWING TITLE:
GROUND FLOOR PLAN & DETAILS

DRAWING No. **A102**
JOB No. **A20010**

Drawn **VESPOLI** date **28/01/2021** PAGE No.
checked **AS SHOWN** REV No. **A**

NOT FOR TENDER