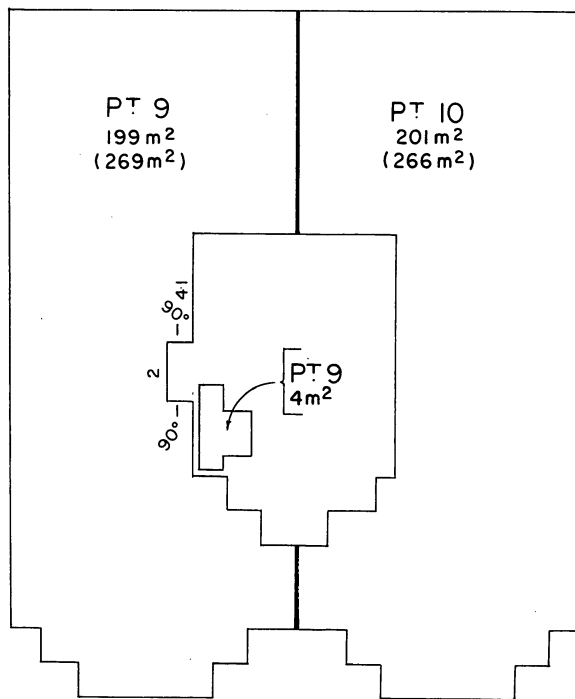


STRATA PLAN No. 19259

SECOND FLOOR



FOR REMAINDER OF LOTS 9 & 10  
SEE SHEET 2 OF 6 SHEETS.

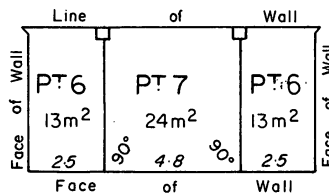
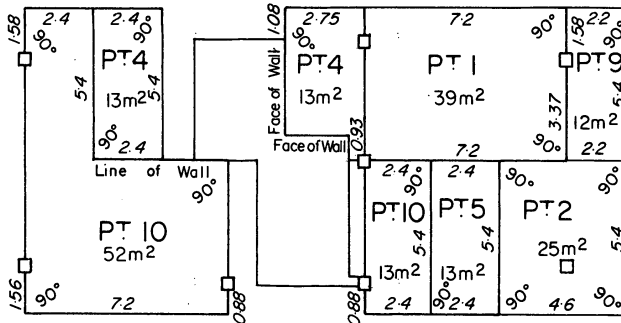
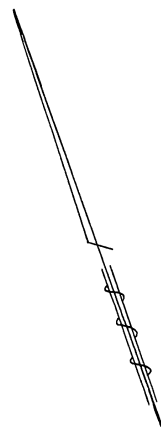
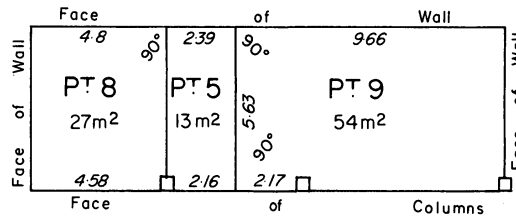
THE BOUNDARIES OF THE BUILDING PART LOTS  
EXTEND TO THE INSIDE FACE OF THE GLASS  
CURTAIN WALL CLADDING THE EXTERIOR OF  
THE BUILDING.

Scale 1 : 200

41445/6/85-1M-S/7658

STRATA PLAN No. 19259

LOWER GROUND FLOOR



FOR REMAINDER OF LOTS 1, 2, 4-10  
SEE SHEETS 2-5 OF 6 SHEETS.

Scale 1 : 200